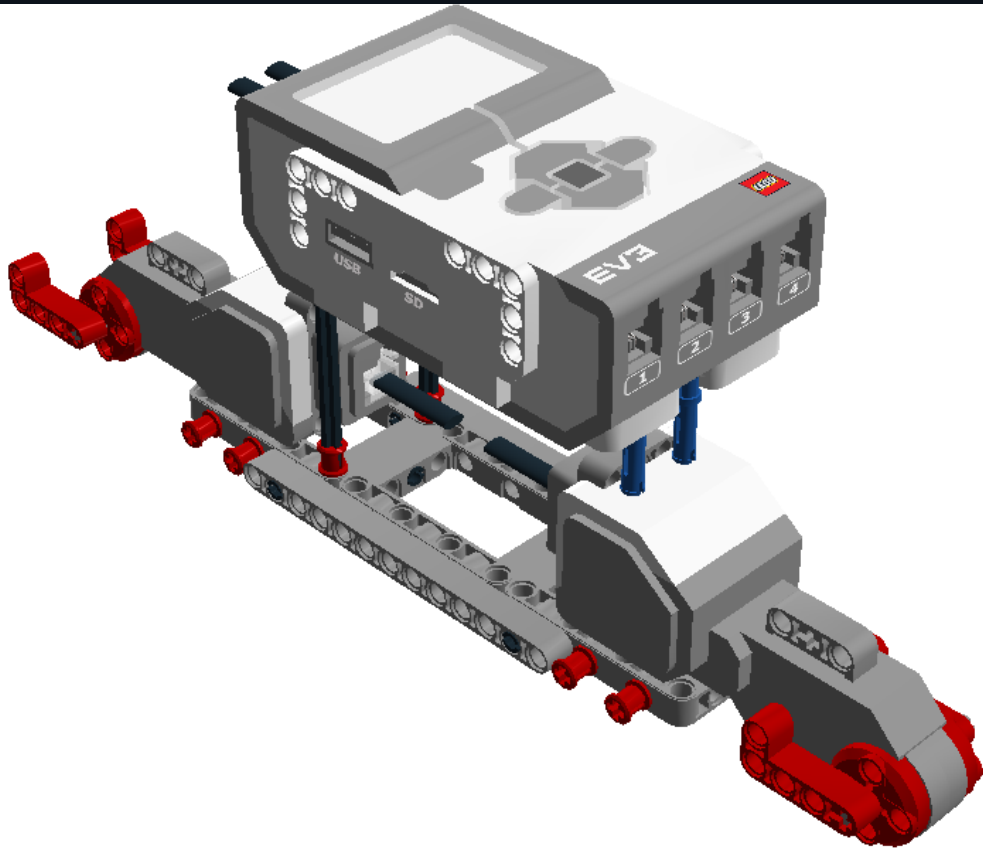




Model Name:
Untitled

Number of Bricks: 37



Step 1 of 20

1 x

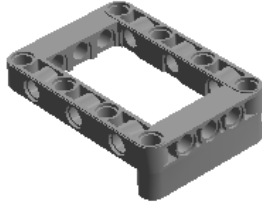


Step 2 of 20

1 x

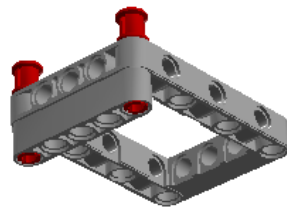


1 x



Step 3 of 20

2 x

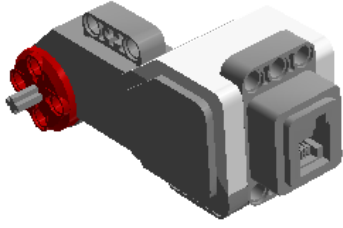


Step 4 of 20

1 x

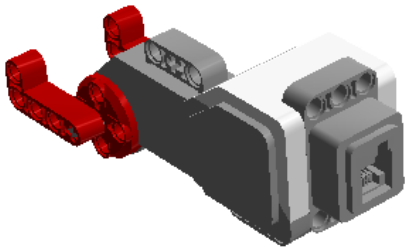


1 x

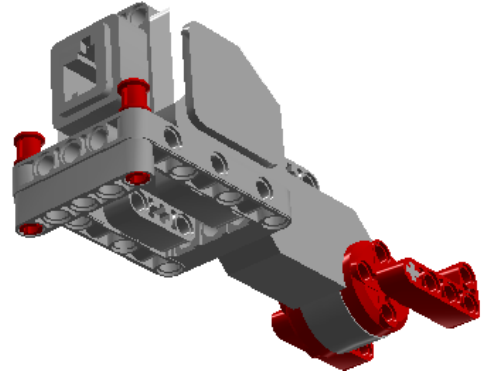


Step 5 of 20

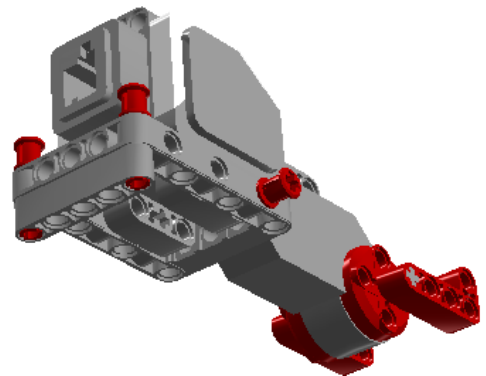
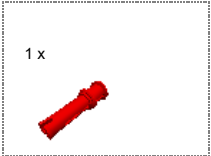
2 x



Step 6 of 20



Step 7 of 20

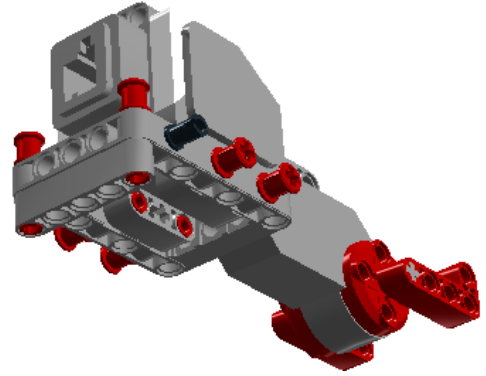


Step 8 of 20

1 x



3 x

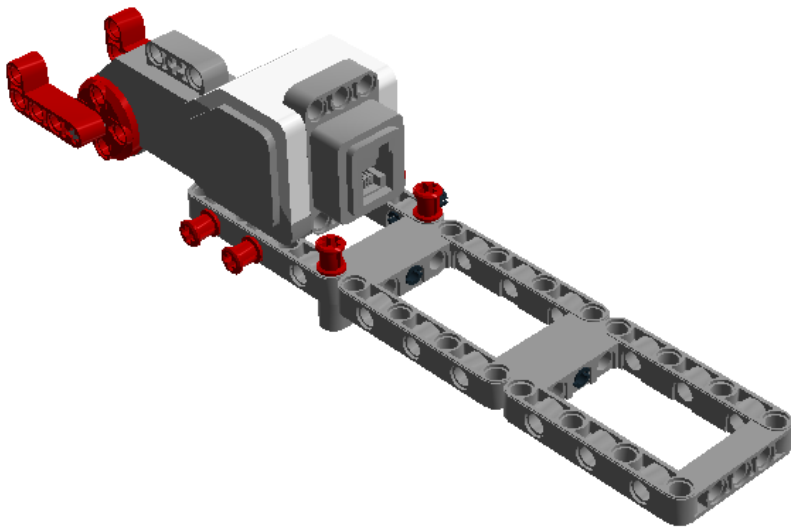


Step 9 of 20

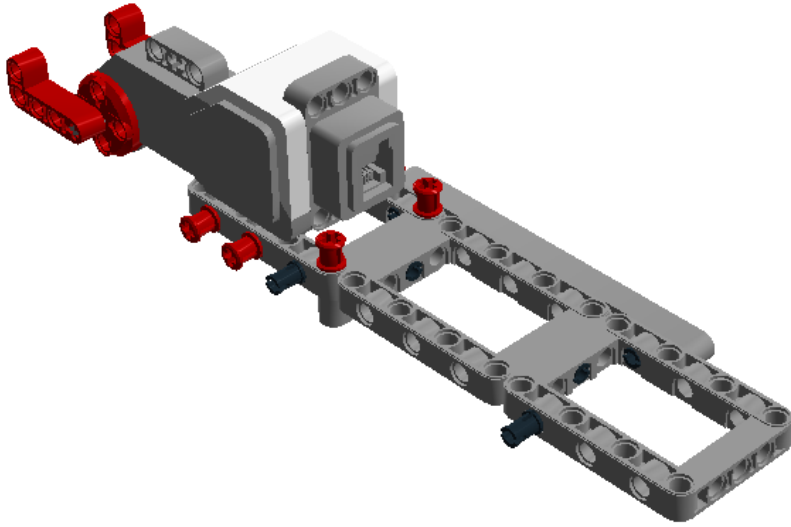
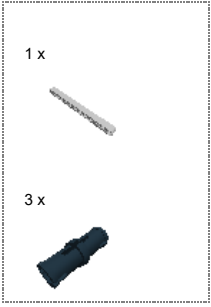
2 x



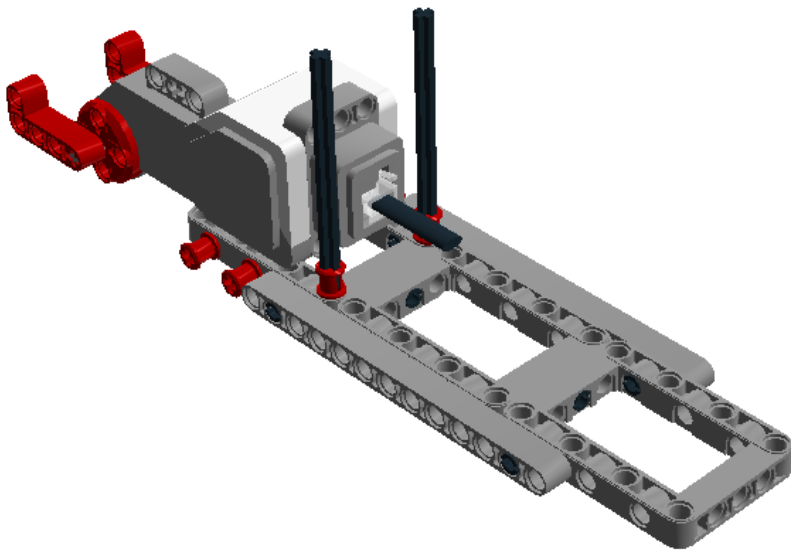
2 x



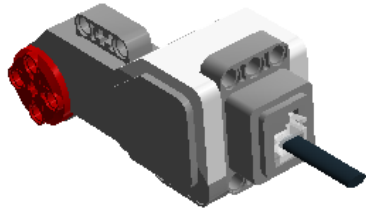
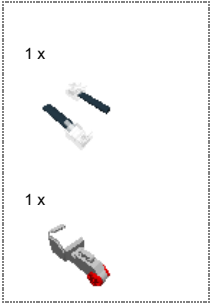
Step 10 of 20



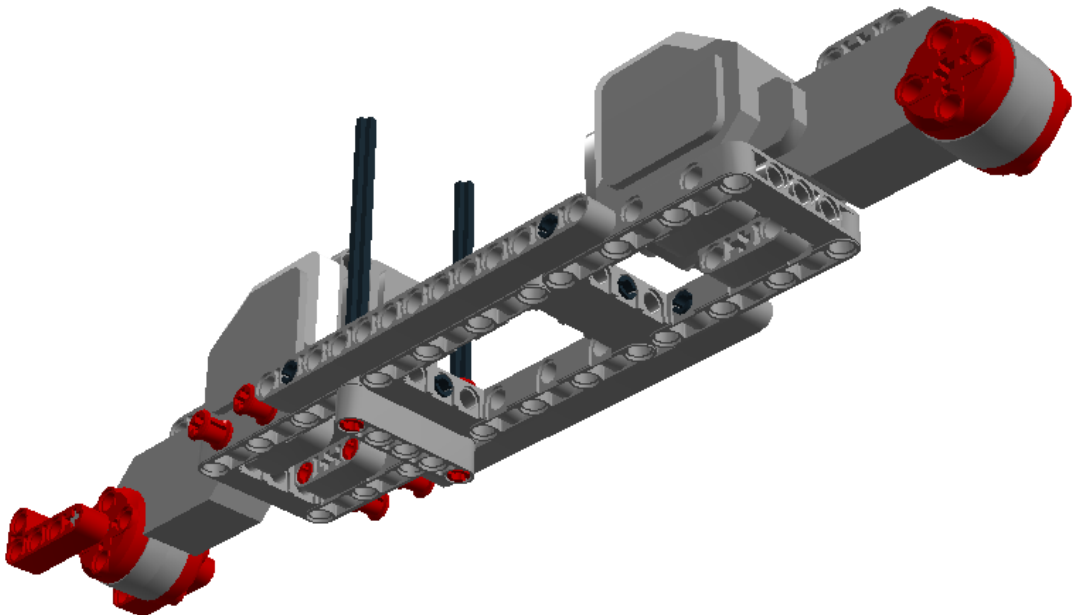
Step 11 of 20



Step 12 of 20

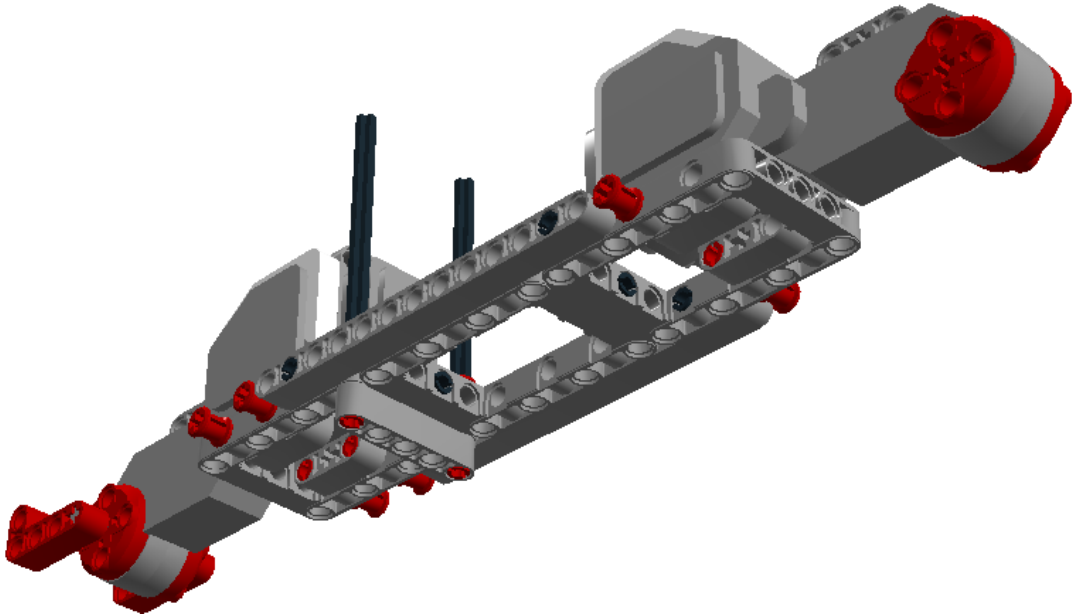


Step 13 of 20



Step 14 of 20

2 x

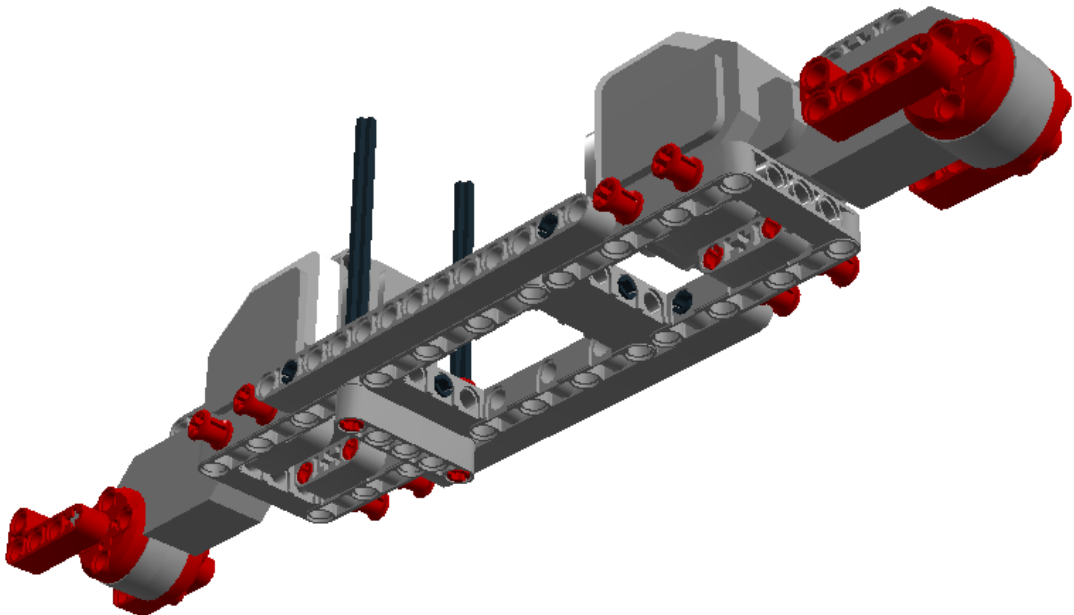


Step 15 of 20

2 x

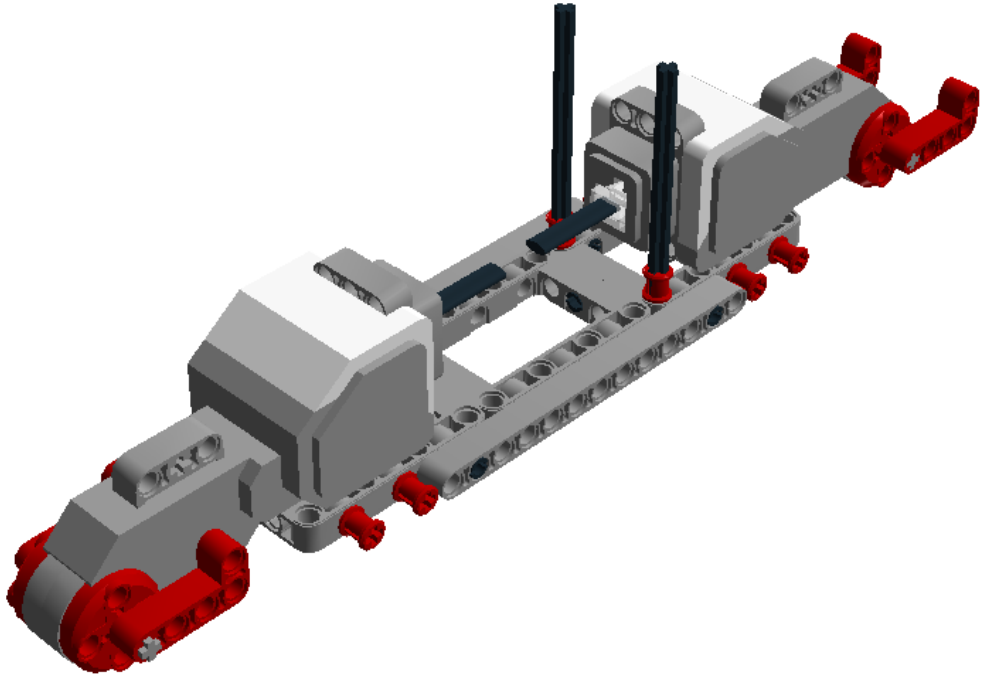


2 x



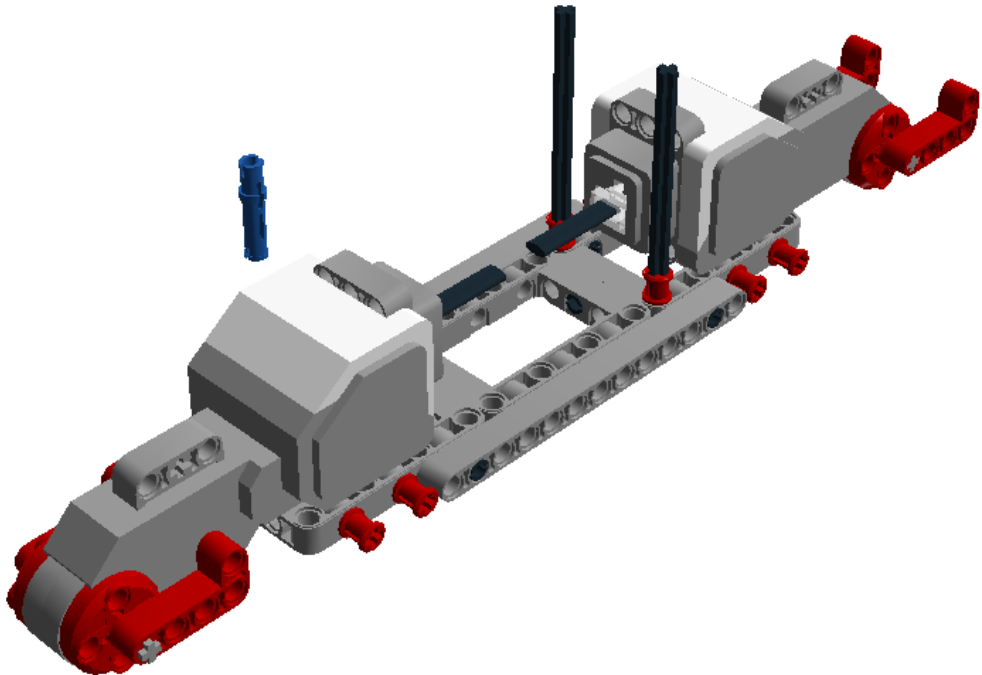
Step 16 of 20

1 x

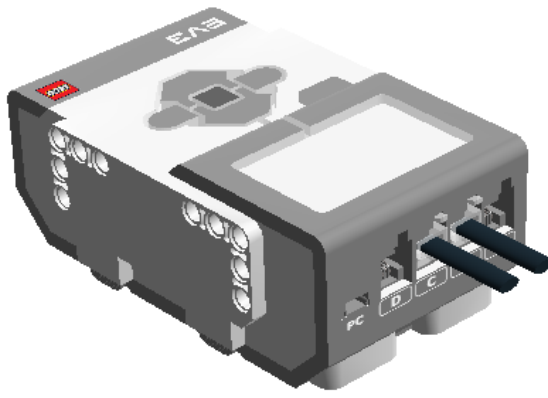
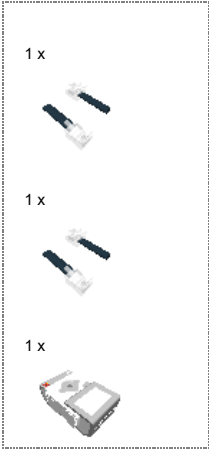


Step 17 of 20

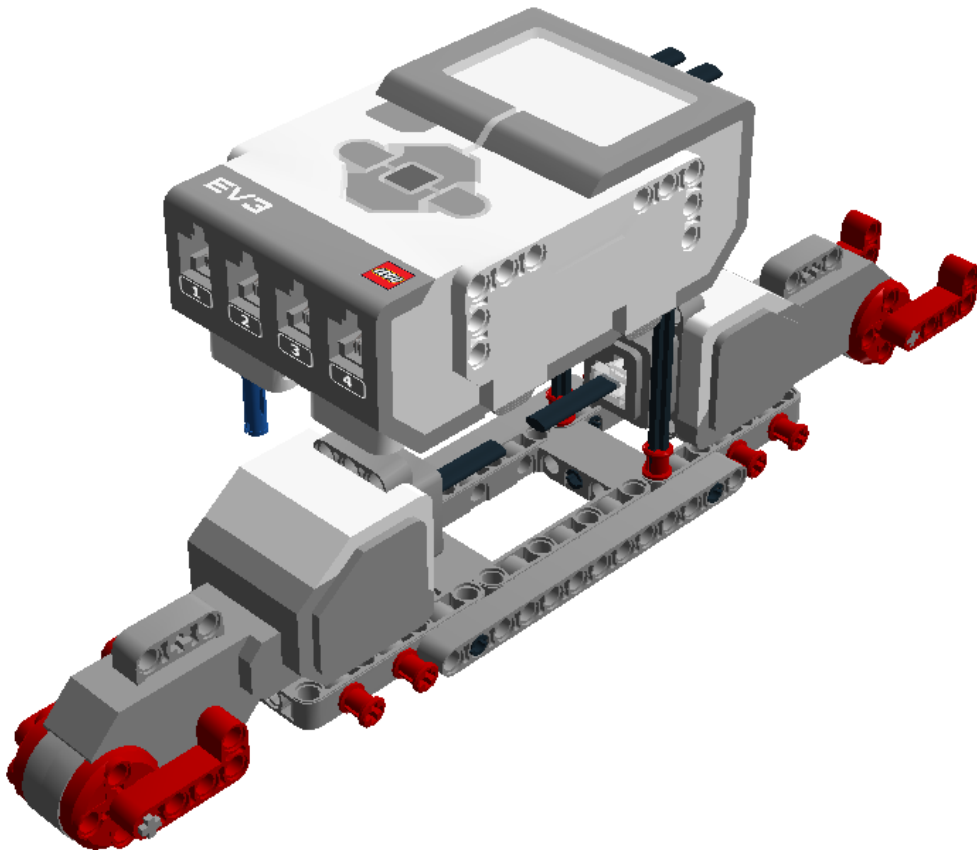
1 x

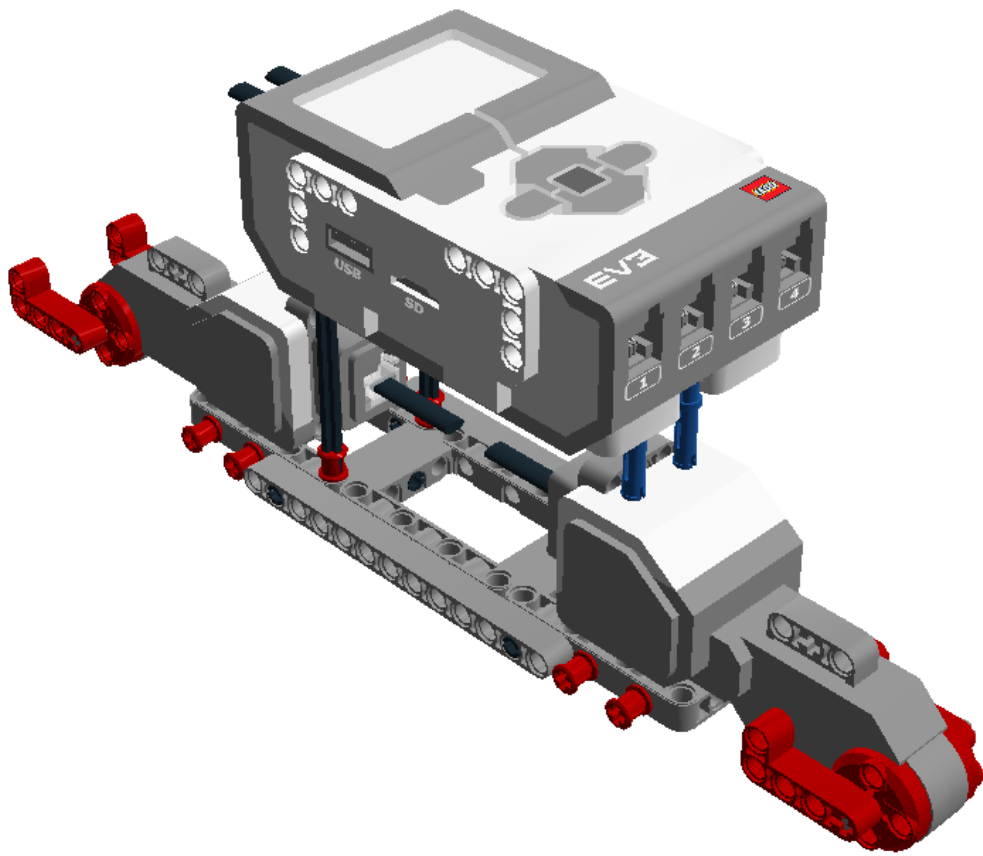



Step 18 of 20





Step 19 of 20







2 x  6024583 CABLE 350 MM - Black,Transparent


2 x  6024585 CABEL 500 MM - Black,Transparent


2 x  6057952 MS 2013 ENGINE - White,Bright Red,Medium Stone Grey

1 x  6009996 MS-EV3, P-BRICK - White,Transparent,Medium Stone Grey,Dark Stone Grey,Silver Metallic


1 x  4211651 TECHNIC 5M BEAM - Medium Stone Grey


4 x  4141270 TECHNIC ANG. BEAM 4X2 90 DEG - Bright Red

2 x  4522934 TECHNIC 13M BEAM - Medium Stone Grey

6 x  4121715 CONNECTOR PEG W. FRICTION - Black

2 x  4514553 CONNECTOR PEG W. FRICTION 3M - Bright Blue

2 x  4211639 CROSS AXLE 5M - Medium Stone Grey

10 x  4140806 2M FRIC. SNAP W/CROSS HOLE - Bright Red

2 x  370726 CROSS AXLE 8M - Black

3 x  4539880 BEAM FRAME 5X7 Ø 4.85 - Medium Stone Grey

